

D

D

C

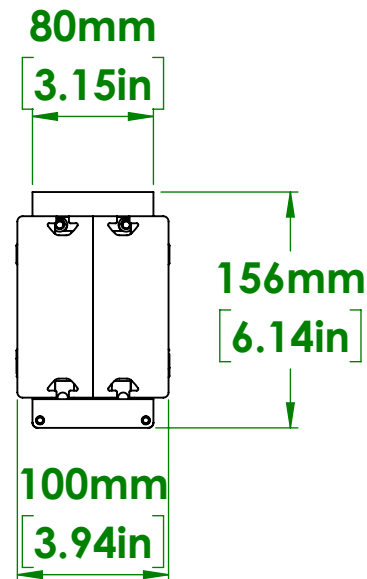
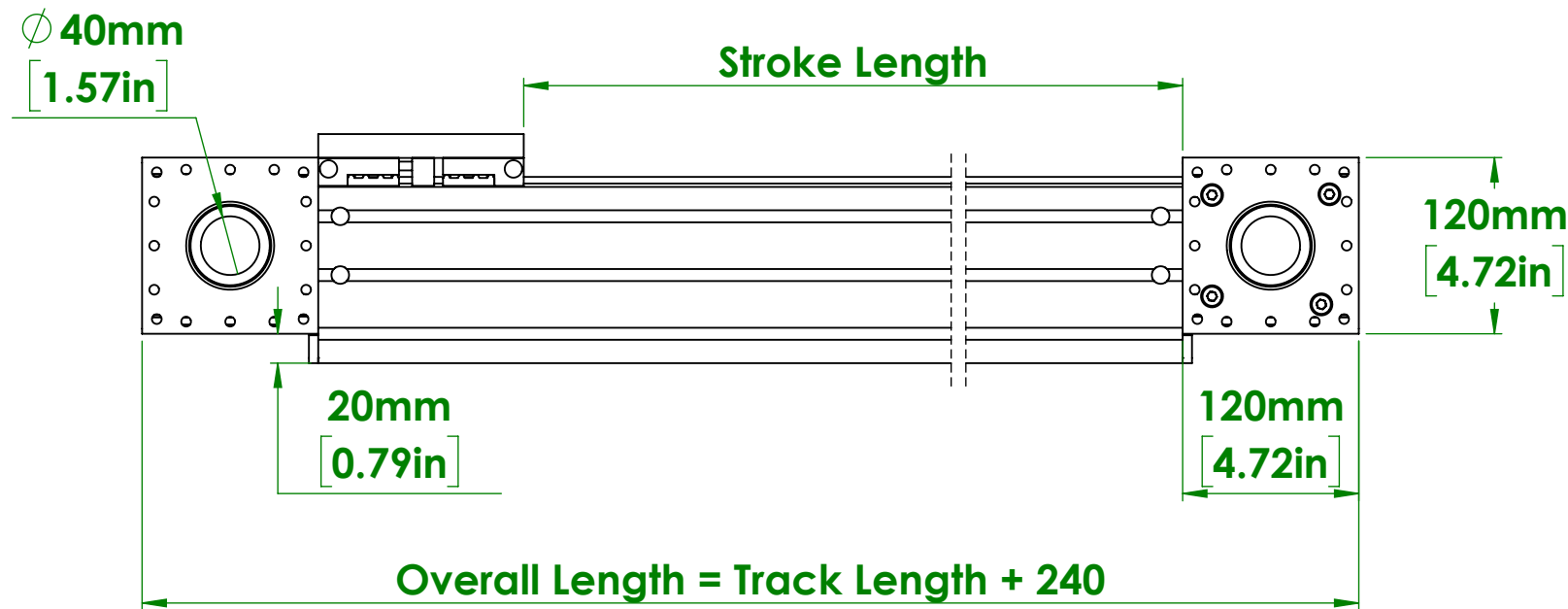
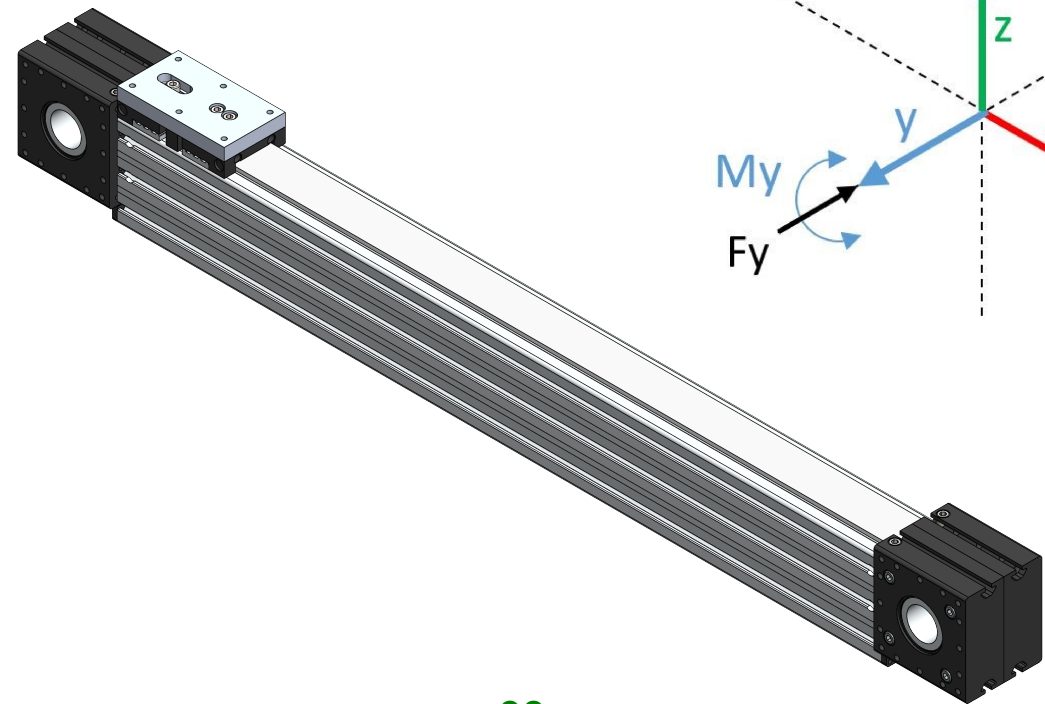
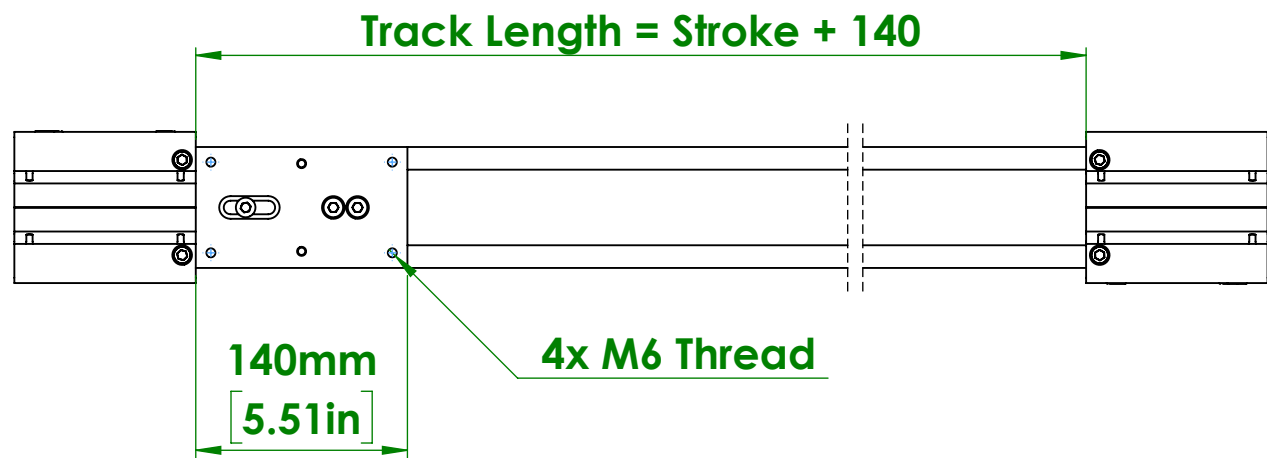
C

B

B

A

A



<b>PROPRIETARY AND CONFIDENTIAL</b> THE INFORMATION CONTAINED IN THIS DRAWING IS THE SOLE PROPERTY OF PALETTI USA, LLC. ANY REPRODUCTION IN PART OR AS A WHOLE WITHOUT THE WRITTEN PERMISSION OF PALETTI USA, LLC IS PROHIBITED.	FINISH: Saw Edge -A- // 0.1 A Side -B- L 0.1 B $\sqrt{32}$		NAME DATE		
	MATERIAL:		DRAWN cwysocki	DATE 3/12/2025	
<b>UNLESS OTHERWISE SPECIFIED:</b> DIMENSIONS ARE IN MILLIMETERS  STANDARD TOLERANCES: ANGULAR: $\pm$ 0.5 DEG ONE PLACE DECIMAL: $\pm$ 0.1 TWO PLACE DECIMAL: $\pm$ 0.05	REVISIONS				
	REV.	REASON	AUTHOR	DATE	SIZE <b>B</b>
<b>PALETTI</b> 145 Keystone Drive Montgomeryville, PA 18936 Phone: 267-289-0020 www.palettiusa.com					DWG. NO. NGSU120
SCALE 1:10					Sheet 1 of 1